



RAINHEAD

Технические характеристики

По вопросам продаж и поддержки обращайтесь:

Архангельск (8182)63-90-72	Калининград (4012)72-03-81	Нижний Новгород (831)429-08-12	Смоленск (4812)29-41-54
Астана +7(7172)727-132	Калуга (4842)92-23-67	Новокузнецк (3843)20-46-81	Сочи (862)225-72-31
Белгород (4722)40-23-64	Кемерово (3842)65-04-62	Новосибирск (383)227-86-73	Ставрополь (8652)20-65-13
Брянск (4832)59-03-52	Киров (8332)68-02-04	Орел (4862)44-53-42	Тверь (4822)63-31-35
Владивосток (423)249-28-31	Краснодар (861)203-40-90	Оренбург (3532)37-68-04	Томск (3822)98-41-53
Волгоград (844)278-03-48	Красноярск (391)204-63-61	Пенза (8412)22-31-16	Тула (4872)74-02-29
Вологда (8172)26-41-59	Курск (4712)77-13-04	Пермь (342)205-81-47	Тюмень (3452)66-21-18
Воронеж (473)204-51-73	Липецк (4742)52-20-81	Ростов-на-Дону (863)308-18-15	Ульяновск (8422)24-23-59
Екатеринбург (343)384-55-89	Магнитогорск (3519)55-03-13	Рязань (4912)46-61-64	Уфа (347)229-48-12
Иваново (4932)77-34-06	Москва (495)268-04-70	Самара (846)206-03-16	Челябинск (351)202-03-61
Ижевск (3412)26-03-58	Мурманск (8152)59-64-93	Санкт-Петербург (812)309-46-40	Череповец (8202)49-02-64
Казань (843)206-01-48	Набережные Челны (8552)20-53-41	Саратов (845)249-38-78	Ярославль (4852)69-52-93

сайт: www.mjk.nt-rt.ru || эл. почта: mkj@nt-rt.ru

rainAhead

HIGH PRECISION RAIN GAUGE

General

rainAhead® is a modern and sturdy rain gauge for measuring rain intensity as well as quantity.

The rain gauge is mounted on e.g. a pole and is collecting the rain in the hopper that leads into the patented tilting-cup.

rainAhead® is calibrated to create an impulse per 0.2mm rain. A connected MJK unit measures and calculates the intensity and amount of rain.

The patented, self-emptying tilting-cup makes rainAhead® one of the most precise rain gauges on the market.

Features

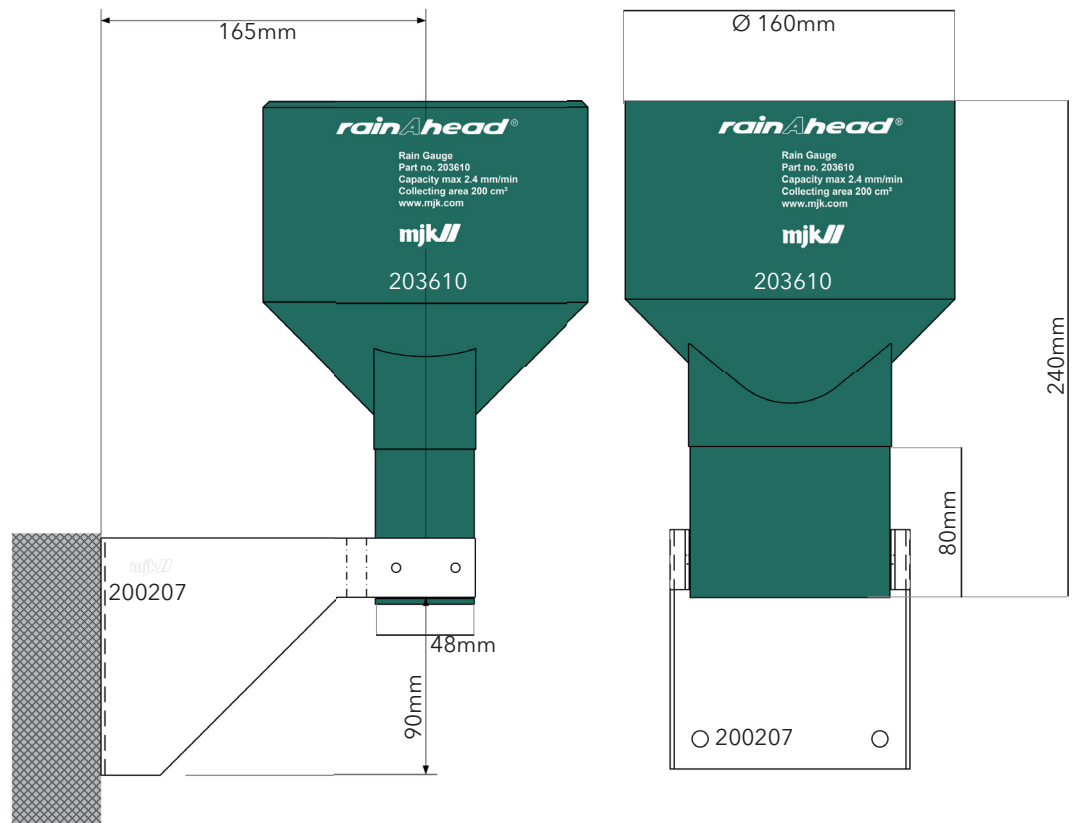
- 200 cm² collecting area
- Made of Styrosun®, and tolerates temperatures down to -50° C.
- Patented tilting mechanism provides 5 electric impulses per millimetre rain.
- Connect to MJK Connect®, Mμ Connect® or Chatter®.

Applications

- Local control of sewer system via connected MJK unit
- Water and waste water facilities
- Collection of data for meteorological statistics and SCADA systems.
- Weather stations



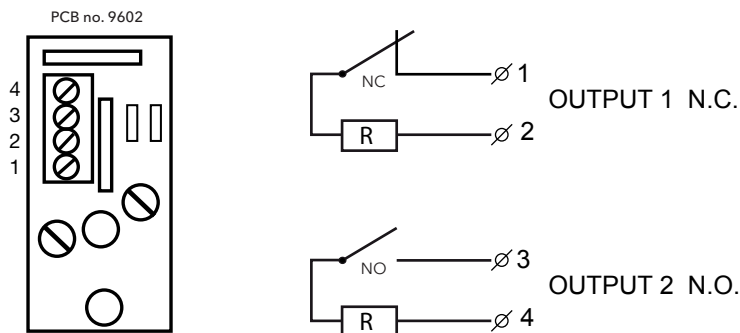
Dimensions



Specifications

rainAhead® rain gauge	
Power supply	Powered from the connected MJK unit
Rain capacity	2.4mm per minute
Resolution	0.20mm per impulse, max 12 impulses/minute
Calibration	Factory calibrated and built-in fine-adjustment
Collecting Area	200 cm ² - the meteorological standard
Potential free relay	R: 1 KΩ ¼W, Max: 28 V AC/DC, Max: 20 mA
Resolution	0,2 mm/TIP
Time	200 ms
Collecting Area	200 cm ² , meteorological standard
Weight	380 g.
Material	Styrosun®
Kapsling	IP 68 - Electrical parts are protected against extreme weather conditions
Operating Conditions	-50°C ... 60°C
Patents	UM-27598, AU Pat. 565951, EPO Pat 0104212, US Pat 4.644.786, CA Pat. 1246181, Japan Pat. 501208/83, Taiwan Reg. 74-201292.

Electrical Connections



Terminal	Switch	0,2 mm/Tilt
1 - 2	NC (Normally Closed)	200 ms Open
3 - 4	NO (Normally Open)	200 ms Closed

Control Function

For data collection and control rainAhead® can with great advantage be connected to:

- Connect and Mµ Connect® RTU units, both providing built-in function to control the pump-down sequence depending on the rain intensity
- Chatter battery operated datalogger with GSM/GPRS modem, for transfer of data to SCADA facility for further analysis.

Datalogging of quantity and intensity is made.

Mount the raingauge on a pole or e.g. the roof, the meteorological standard is however 1.5 meter above ground.



По вопросам продаж и поддержки обращайтесь:

Архангельск (8182)63-90-72	Калининград (4012)72-03-81	Нижний Новгород (831)429-08-12	Смоленск (4812)29-41-54
Астана +7(7172)727-132	Калуга (4842)92-23-67	Новокузнецк (3843)20-46-81	Сочи (862)225-72-31
Белгород (4722)40-23-64	Кемерово (3842)65-04-62	Новосибирск (383)227-86-73	Ставрополь (8652)20-65-13
Брянск (4832)59-03-52	Киров (8332)68-02-04	Орел (4862)44-53-42	Тверь (4822)63-31-35
Владивосток (423)249-28-31	Краснодар (861)203-40-90	Оренбург (3532)37-68-04	Томск (3822)98-41-53
Волгоград (844)278-03-48	Красноярск (391)204-63-61	Пенза (8412)22-31-16	Тула (4872)74-02-29
Вологда (8172)26-41-59	Курск (4712)77-13-04	Пермь (342)205-81-47	Тюмень (3452)66-21-18
Воронеж (473)204-51-73	Липецк (4742)52-20-81	Ростов-на-Дону (863)308-18-15	Ульяновск (8422)24-23-59
Екатеринбург (343)384-55-89	Магнитогорск (3519)55-03-13	Рязань (4912)46-61-64	Уфа (347)229-48-12
Иваново (4932)77-34-06	Москва (495)268-04-70	Самара (846)206-03-16	Челябинск (351)202-03-61
Ижевск (3412)26-03-58	Мурманск (8152)59-64-93	Санкт-Петербург (812)309-46-40	Череповец (8202)49-02-64
Казань (843)206-01-48	Набережные Челны (8552)20-53-41	Саратов (845)249-38-78	Ярославль (4852)69-52-93